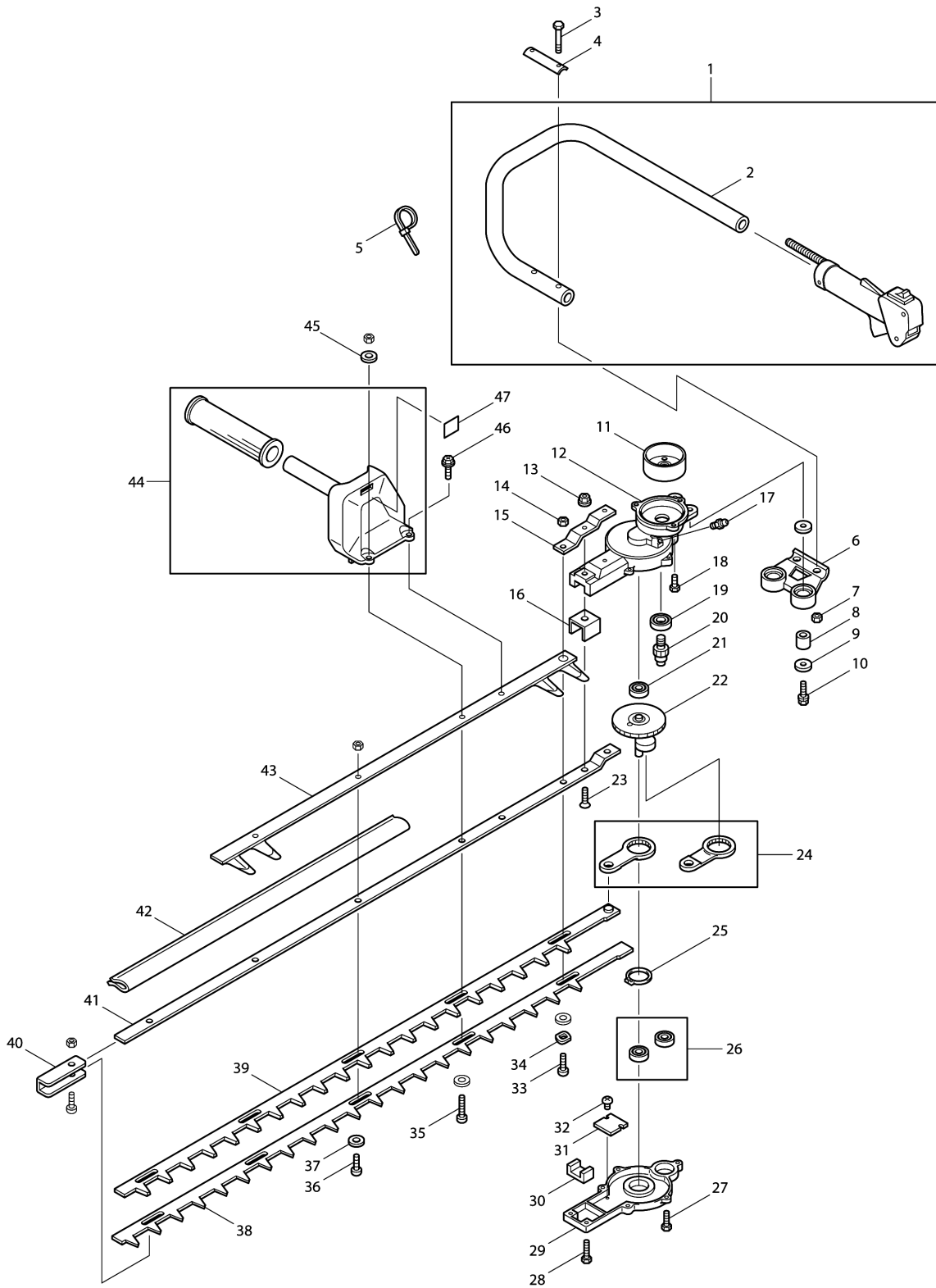
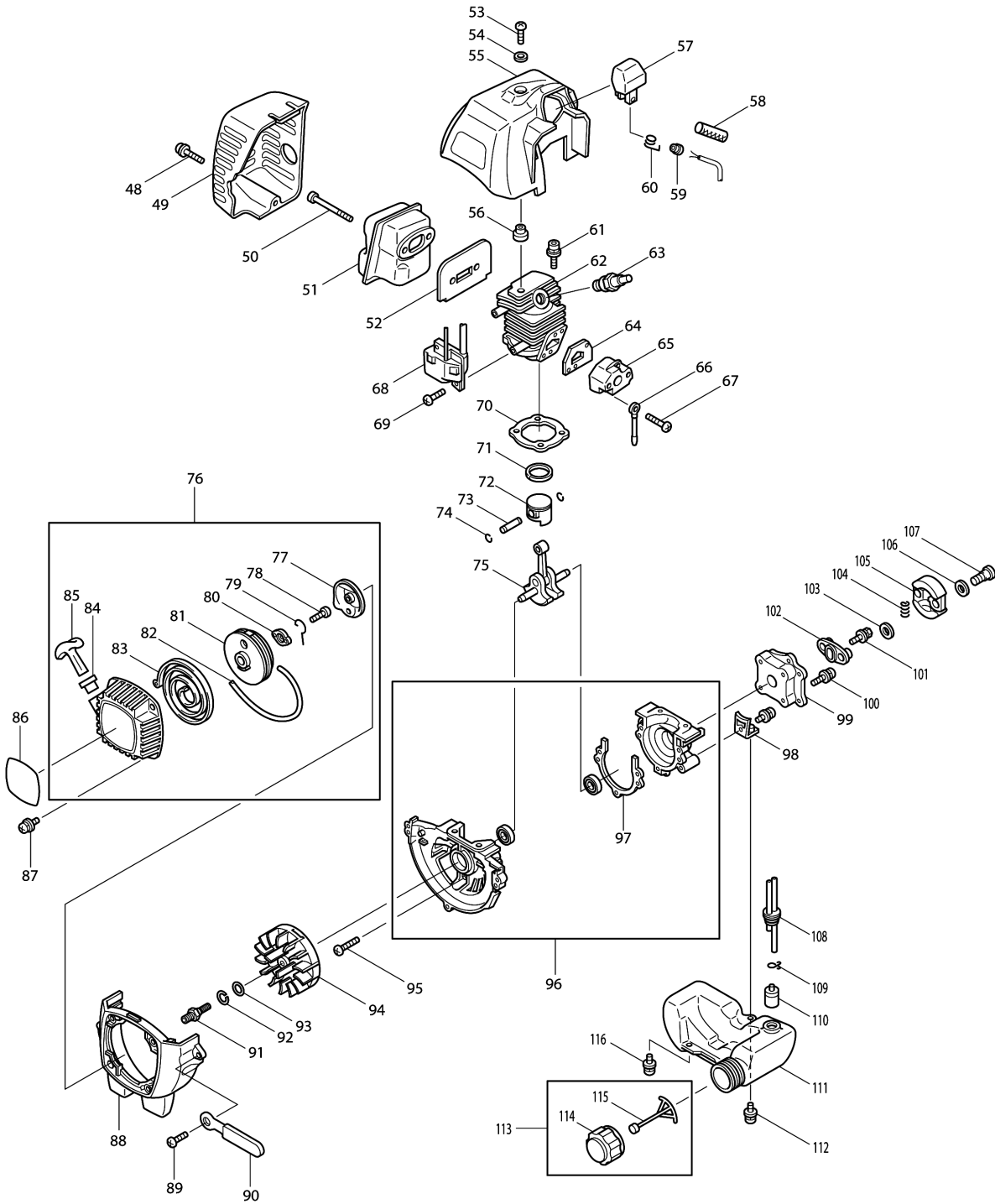


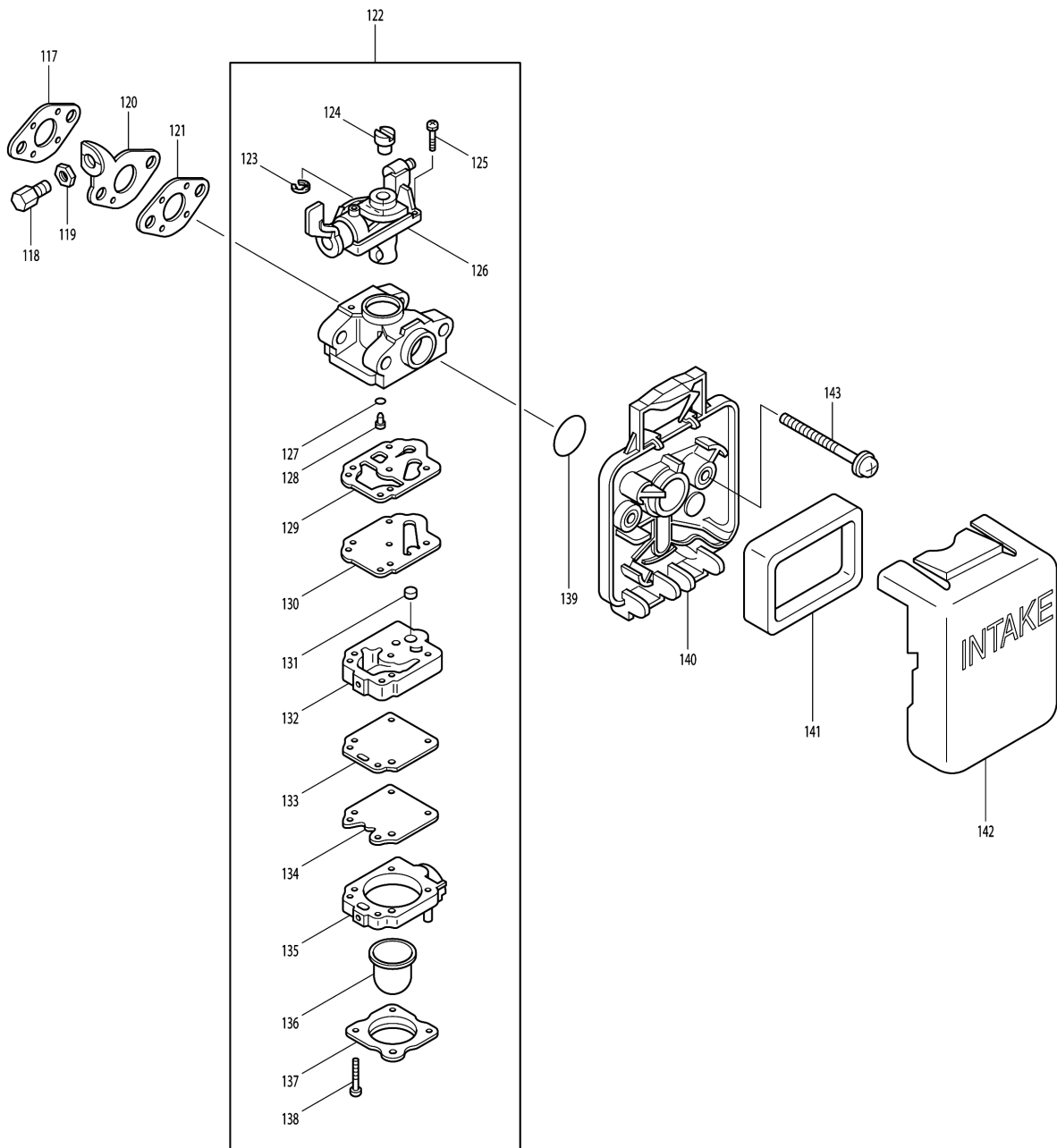
# Model No.HTR7610 ENGINE HEDGE TRIMMER



# Model No.HTR7610 ENGINE HEDGE TRIMMER



# Model No.HTR7610 ENGINE HEDGE TRIMMER



## Model No.HTR7610 ENGINE HEDGE TRIMMER

Position	Artikel-Nr.	Beschreibung	I/C	Stk.	New/Old	Opt. 1	Opt. 2	Hinweis
001	0340047000	CONTROL LEVER ASSY		1	*			
D10		INC. 2			*			
001-1	034004700R	CONTROL LEVER ASSEMBLY	O	1				
002	1361490000	HANDLE (LEFT)		1				
003	0040050301	BOLT M5X30		2	*			
003-1	L040050283	BOLT M5X28	O	2	*			
003-2	040050283L	HEX BOLT M5X28	O	2				
004	1361030000	HANDLE FITTING		1				
005	0035002100	CORD BINDER		1	*			
005-1	035002100R	CLIP (CV-150)	O	1				
006	1361000000	HANDLE HOLDER		1				
007	0150050000	NUT M5		2	*			
007-1	150050000K	HEX. NUT M5	O	2				
008	1361020000	ANTI-VIBRATION RUBBER		4				
009	1361040000	FITTING RUBBER		2				
010	0054060350	BOLT M6X35		2	*			
010-1	054060350K	BOLT M6X35 (W/SW)	O	2				
011	1361410000	DRUM COMPLETE		1				
012	0326100002	UPPER CASE		1	*			
012-1	326100002A	CRANK CASE (UPPER)	O	1				
013	0162050000	FLANGE NUT M5		2	*			
013-1	162050000K	FLANGE NUT M5	O	2				
014	0164060000	U-NUT M6		5	*			
014-1	164060000K	HEX. U-NUT M6	O	5				
015	0325102004	PLATE		1	*			
015-1	3251020040	REINFORCING PLATE	O	1				
016	0325103004	PLATE		1	*			
016-1	3251030040	SLIGHTLY STOPPER	O	1				
017	0055000100	GREASE NIPPLE M6		1	*			
017-1	055000100R	GREASING NIPPLE	O	1				
018	0054060160	BOLT M6X16		3	*			
018-1	054060160K	+HEX. BOLT M6X16 WITH WG	O	3				
019	0354060010	BALL BEARING UU 6001		1	*			
019-1	354060010K	BALL BEARING 6001 2RS	O	1				
020	1361420000	PINION GEAR		1				
021	0353006080	BALL BEARING ZZ 608		1	*			
021-1	353006080K	BEARING 608ZZ	O	1				
022	1360030000	GEAR CRANK ASS'Y		1				
023	0011050205	SCREW M5X20		2	*			
023-1	011050205K	SCREW M5X20	O	2				
024	1181000000	ROD		2	*			
024-1	TE1A044000	ROD	O	2	*			
024-2	1A044000TE	ROD	O	2	*			
024-3	XOC0000018	ROD	O	2				
025	0283026000	SNAP RING		1	*			

Please order the parts with part number.

Print Date 25/10/2023

## Model No.HTR7610 ENGINE HEDGE TRIMMER

Position	Artikel-Nr.	Beschreibung	I/C	Stk.	New/Old	Opt. 1	Opt. 2	Hinweis
025-1	283026000K	RETAINING RING STW-26	O	1				
026	0353006080	BALL BEARING ZZ 608		2	*			
026-1	353006080K	BEARING 608ZZ	O	2				
027	0054050160	BOLT M5X16(W,SW)		5	*			
027-1	054050160K	(+)HEX. BOLT M5X16	O	5				
028	0054050160	BOLT M5X16(W,SW)		2	*			
028-1	054050160K	(+)HEX. BOLT M5X16	O	2				
029	0325101002	LOWER CASE		1	*			
029-1	3251010020	CASE (LOWER)	O	1				
030	0325104004	FELT		1	*			
030-1	3251040040	FELT	O	1				
031	0301100000	ROD SLIDING PLATE		1				
032	0010030050	SCREW M3X5		2	*			
032-1	010030050K	(+)PAN HEAD SCREW M3X5	O	2				
033	0040003009	SCREW M6X22		2	*			
033-1	040003009A	SCREW M6X22	O	2				
034	0229060000	WAVE WASHER		1	*			
034-1	229060000K	WAVE WASHER	O	1				
035	0040004009	SCREW		1	*			
035-1	040004009A	BLADE SLIDE SCREW	O	1				
036	0040002009	SCREW L=19		2	*			
036-1	040002009A	BLADE SLIDE SCREW L19	O	2				
037	0082500000	BLADE SLIDING WASHER		4				
038	6018505301	BLADE (LOWER)		1				
039	6018505200	BLADE (UPPER)		1				
040	0271450000	END REINFORCER		1				
041	1361160000	GUIDE PLATE		1				
042	0028109009	BLADE COVER		1	*			
042-1	028109009A	BLADE COVER	O	1				
043	0286115001	PROTECTOR		1	*			
043-1	286115001A	BLADE GUARD	O	1	*			
043-2	XOC0000031	BLADE GUARD	<	1				
044	0024004000	RIGHT HANDLE		1	*			
044-1	XOC0000023	RIGHT HANDLE	O	1				
045	0207060104	WASHER M6		1	*			
045-1	207060104A	WASHER M6	O	1				
046	0055060201	BOLT M5X20(SW,PW)		1	*			
046-1	055060201K	BOLT M5X20 (SW, PW)	O	1				
047	0736359980	CAUTION LABEL		1				
048	0140059290	SCREW ASSY		1				
049	5253500500	MUFFLER COVER		1				
050	0119059550	SOCKET HEAD BOLT		2	*			
050-1	266754-1	Innensechskant- Flanschkopfschraube	O	2				
051	5253071000	Luftfilterbaugruppe		1				
052	5253500102	MUFFLER GASKET		1				

Please order the parts with part number.

Print Date 25/10/2023

## Model No.HTR7610 ENGINE HEDGE TRIMMER

Position	Artikel-Nr.	Beschreibung	I/C	Stk.	New/Old	Opt. 1	Opt. 2	Hinweis
053	0140059490	SCREW		1				
054	0200070010	WASHER		1				
055	5255500301	CYLINDER COVER (MAKITA COLOR)		1				
056	5503503001	SPACER		1				
057	5237503301	PLUG CAP		1				
058	0851049950	TUBE		1				
059	5257500300	GROMMET		1	*			
059-1	424313-9	Tülle	O	1				
060	0654009931	PLUG CAP SPRING		1	*			
060-1	324891-8	Steckerkappenfeder	O	1				
061	0119059730	SOCKET HEAD BOLT M5X20		2	*			
061-1	266814-9	Innensechskantkopfschraube M5X20	O	2				
062	5251500201	CYLINDER		1	*			
062-1	5231501804	CYLINDER	O	1	*			
062-2	318762-9	Zylinder	O	1				
063	0650149721	SPARK PLUG		1	*			
063-1	168662-1	Zündkerze (BMR7A)	O	1				
064	5253500200	INSULATOR GASKET		1				
065	5233014000	INSULATOR COMPL.		1	*			
065-1	141056-5	Isolator komplett	O	1				
066	6165500201	WIRE		1	*			
066-1	638784-6	Draht	O	1				
067	0140059500	SCREW M5X25		2	*			
067-1	266700-4	Flachkopfschraube M5X25	O	2				
068	5257001021	COIL		1				
069	0140049920	SCREW ASS'Y M4X20		2				
070	5231502304	CYLINDER GASKET		1	*			
070-1	442171-1	Zylinderdichtung	O	1				
071	5242500701	PISTON RING		1	*			
071-1	257979-8	Kolbenring	O	1				
072	5232501902	PISTON		1				
073	5232502600	PISTON PIN		1	*			
073-1	257781-9	Kolbenbolzen	O	1				
074	0565089970	CLIP		2	*			
074-1	233976-8	Clip	O	2				
075	5252002001	CRANKSHAFT COMPLETE		1	*			
075-1	5252002002	CRANKSHAFT COMPLETE	O	1	*			
075-2	144403-9	Kurbelwelle komplett	S	1				
076	5255052000	REWIND STARTER		1				
D10		INC. 77-85						
077	5255505900	PULLY		1				
078	5195002060	SET SCREW		1	*			
078-1	266585-8	Bindekopf-Blechschrabe 5X12	O	1				
079	5195002100	SWING ARM		1	*			

Please order the parts with part number.

Print Date 25/10/2023

## Model No.HTR7610 ENGINE HEDGE TRIMMER

Position	Artikel-Nr.	Beschreibung	I/C	Stk.	New/Old	Opt. 1	Opt. 2	Hinweis
079-1	325923-4	Mitnehmerbügel	O	1				
080	5195002110	COLLAR		1	*			
080-1	451938-6	Hülse	O	1				
081	5195002030	REEL		1	*			
081-1	452972-9	Rolle	O	1				
082	5255016020	STARTER ROPE		1	*			
082-1	444024-0	Anwerfseil	O	1				
083	5195002050	SPIRAL SPRING		1	*			
083-1	234220-6	Spiralfeder	O	1				
084	5255001040	DAMPER		1	*			
084-1	424359-5	Dämpfer	O	1				
085	5225004020	HANDLE		1	*			
085-1	424319-7	Starterknopf	O	1				
086	6019509100	MODEL LABEL		1				
087	0140049760	SCREW ASSEMBLY		4				
088	5255505700	BLOWER HOUSING		1				
089	0140059350	SCREW ASS'Y M5X18(W,SW)		3	*			
089-1	266699-3	Flachkopfschraube M5X18	O	3				
090	0566059980	CLAMP		1	*			
090-1	345963-6	Klemme	O	1				
091	5257501400	BOLT		1				
092	0032006000	SPRING WASHER		1				
093	0031206000	WASHER		1	*			
093-1	253429-1	Unterlegscheibe 7	O	1				
094	5257041010	FLYWHEEL		1				
095	0140059520	SCREW M5X25		3	*			
095-1	266701-2	Flachkopfschraube M5X25	O	3	*			
095-2	922241-7	Innensechskantkopfschraube M5X25 W	O	3				
096	5251003000	CRANKCASE COMPLETE		1				
D10		INC. 97						
097	5231502202	CRANKCASE GASKET		1	*			
097-1	424447-8	Kurbelgehäusedichtung	O	1				
098	5256002000	TANK PLATE COMPLETE		1				
099	1181240000	SPACER		1	*			
099-1	318892-6	Abstandshalter	O	1				
100	0140059350	SCREW ASS'Y M5X18(W,SW)		4	*			
100-1	266699-3	Flachkopfschraube M5X18	O	4				
101	6202006000	BOLT ASS'Y		1	*			
101-1	5235504700	BOLT ASS'Y	O	1	*			
101-2	266703-8	Sechskantschraube M6X14	O	1				
102	6202500000	HOLDER		1				
103	6202500600	WASHER		2	*			
103-1	267429-5	Unterlegscheibe 6	O	2				
104	5238500500	CLUTCH SPRING		1				
105	6252500801	CLUTCH SHOE		2				

Please order the parts with part number.

Print Date 25/10/2023

## Model No.HTR7610 ENGINE HEDGE TRIMMER

Position	Artikel-Nr.	Beschreibung	I/C	Stk.	New/Old	Opt. 1	Opt. 2	Hinweis
106	0200089911	WASHER M8		2	*			
106-1	267817-6	Unterlegscheibe 8	O	2				
107	6252500400	CLUTCH BOLT		2	*			
107-1	266457-7	Schulter- Sechskantkopfschraube M6X25	O	2	*			
107-2	266864-4	Schulter- Sechskantkopfschraube M6X25	O	2				
108	5256012001	TUBE ASS'Y		1				
109	0561059990	HOSE CLAMP		1	*			
109-1	345920-4	Schlauchklemme	O	1				
110	5236503900	FILTER		1	*			
110-1	163447-0	Benzinfilter	O	1	*			
110-2	163447-0	Benzinfilter	O	1				
111	5256025000	FUEL TANK COMPLETE		1				
112	0140059290	SCREW ASSY		2				
113	5256059000	FUEL TANK CAP COMPLETE		1	*			
D10		INC. 113,114			*			
D11		INC. 114,115			*			
113-1	168668-9	Kraftstofftankdeckel komplett	O	1				
D11		INC. 114,115						
114	5256058000	FUEL TANK CAP		1	*			
114-1	452920-8	Kraftstofftankdeckel	O	1				
115	5256067000	STRAP		1	*			
115-1	140436-2	Gurt kpl.	O	1				
116	0150059800	TAPPING SCREW M5X18		2				
117	5103502801	SPACER GASKET		1	*			
117-1	442177-9	Luftfilterdichtung	O	1				
118	5316020020	CABLE ADJUST SCREW		1	*			
118-1	326084-3	Kabelfeststellschraube M6X13	O	1				
119	0022706000	NUT M6		1				
120	5256501900	CABLE BRACKET		1				
121	5103502801	SPACER GASKET		1	*			
121-1	442177-9	Luftfilterdichtung	O	1				
122	5256085000	CARBURETOR		1				
D10		INC. 123-138						
123	5316005120	RING		1	*			
123-1	257964-1	Anschlagring (EXT) E3	O	1				
124	5236018040	SWIVEL		1	*			
124-1	325922-6	Drehgelenk	O	1				
125	5206008030	PAN HEAD SCREW		2	*			
125-1	266581-6	Flachkopfschraube M3X8 W	O	2	*			
125-2	WJ00096364	SCREW M3X8 WITH WASHER	O	2				
126	5196002010	THROTTLE VALVE ASS'Y		1				
127	5246001010	O RING		1	*			
127-1	213538-8	O-Ring 2	O	1				

Please order the parts with part number.

Print Date 25/10/2023



## Model No.HTR7610 ENGINE HEDGE TRIMMER

Position	Artikel-Nr.	Beschreibung	I/C	Stk.	New/Old	Opt. 1	Opt. 2	Hinweis
128	5026004010	JET		1	*			
128-1	326085-1	Düse	O	1				
129	5246001030	PUMP GASKET		1	*			
129-1	442172-9	Pumpendichtung	O	1				
130	5246001040	PUMP DIAPHRAGM		1	*			
130-1	168575-6	Pumpenmembran	O	1	*			
130-2	WJ00009599	PUMP DIAPHRAGM	O	1				
131	5016004010	INLET SCREEN		1	*			
131-1	352010-6	Einlasssieb	O	1	*			
131-2	WJ00014070	INLET SCREEN	O	1				
132	5256007010	PUMP BODY ASS'Y		1				
133	5236046040	METERING DIAPHRAGM GASKET		1	*			
133-1	442154-1	Dosierblendendichtung	O	1				
134	5316005250	METERING DIAPHRAGM ASS'Y		1	*			
134-1	168767-7	Dosiermembran	O	1				
135	5236046060	AIR PURGE BODY ASS'Y		1	*			
135-1	140988-3	Luftspülkörper Baugruppe	O	1				
136	5246001150	PRIMER PUMP		1	*			
136-1	424314-7	Ansaugpumpe	O	1				
137	5236046050	PRIMER PUMP COVER		1	*			
137-1	346270-0	Ansaugpumpenabdeckung	O	1				
138	5236046010	PUMP COVER SCREW		4	*			
138-1	266582-4	Zylinderschraube 3X24	O	4				
139	5236061000	O RING		1				
140	5253003020	AIR CLEANER HOUSING COMPLETE		1				
141	5203004010	AIR FILTER		1				
142	5253020010	AIR CLEANER COVER		1				
143	0043305650	SCREW ASS'Y		2	*			
143-1	265667-3	Flachkopfschraube M5X65	O	2				
155	0610089990	NEEDLE ROLLER BEARING	S	1				
A01	5019001000	TOOL		1				

Please order the parts with part number.

Print Date 25/10/2023